

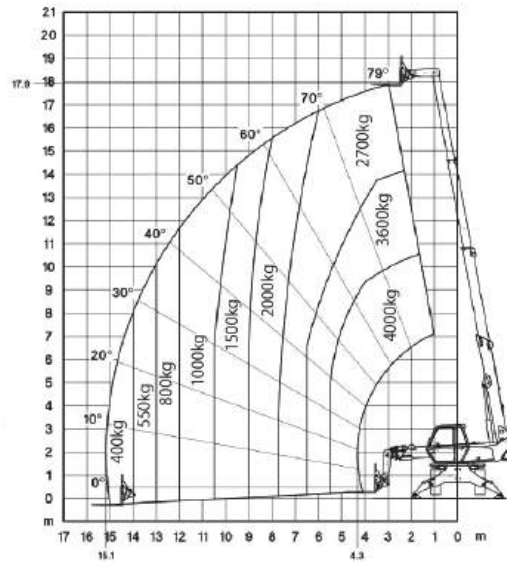
TELEHANDLER ROTATING TYPE



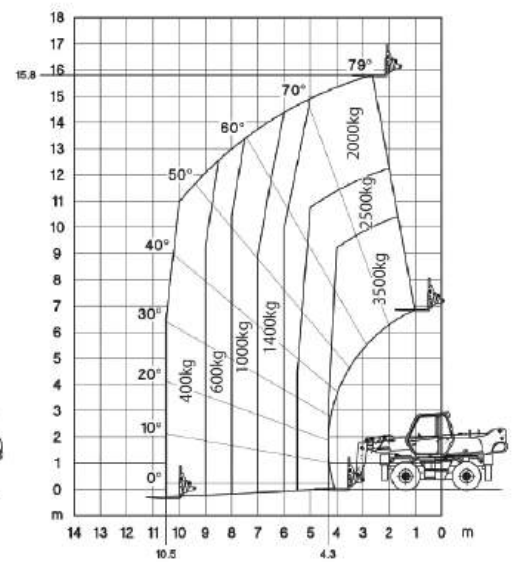
MRT1840



Rotation on stabilizers with forks



Frontal position on tires with forks



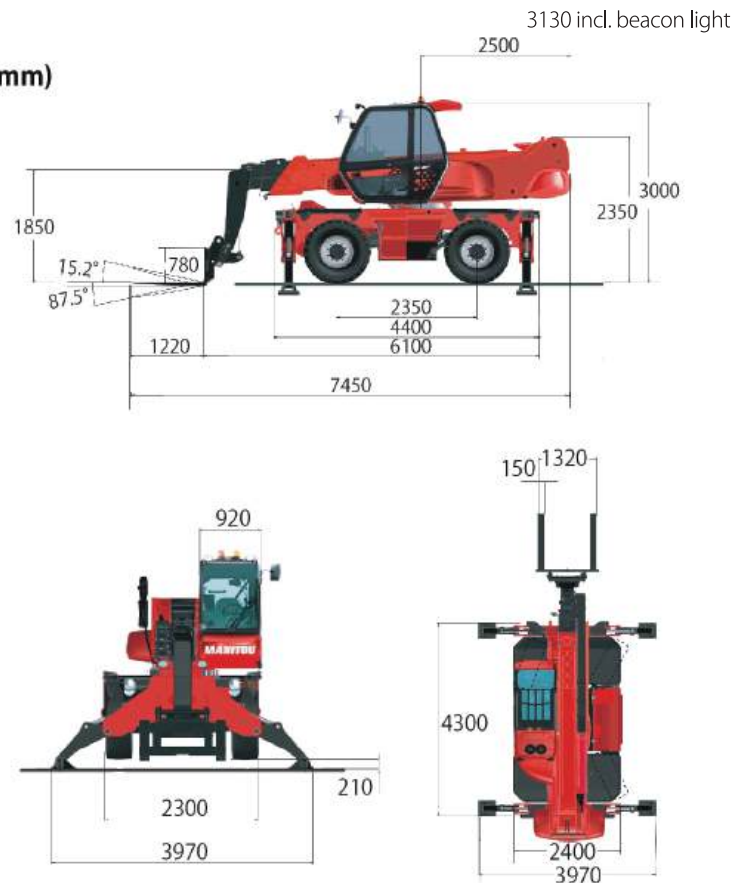
Dimensions

MAKER	MANITOU
Model	MRT1840
Max. Lifting Height (m)	17.9
Max. Outreach (with Forks) (m)	15.1
Lifting Capacity (on Stabilizers) (kg)	4000
Turret Rotation (°)	360
Drawbar Pull (daN)	8600
Gradeability (°)	23.9
Min. Frame Outer Turning Radius (m)	3.90
GVW (kg)	13390
Max. Travel Speed (km/h)	32.00
Qualifications	
■ When working	Depends on the attachment
■ When driving on public roads	Large special license required

※ Engine complies with European Stage 4 emission standards.

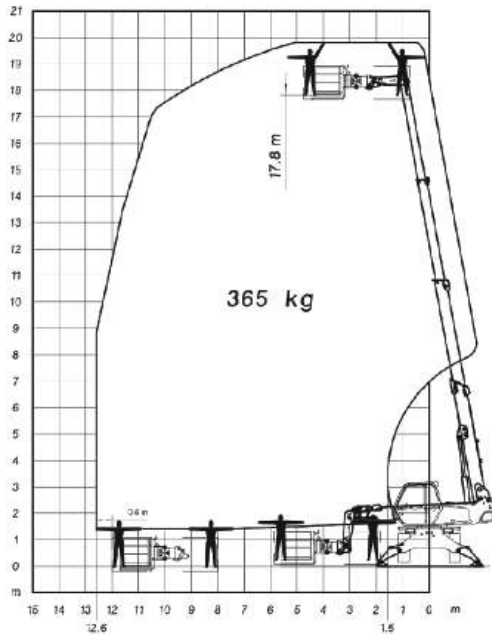
※ The attachments are interchangeable, refer to page 61 for details.

(mm)

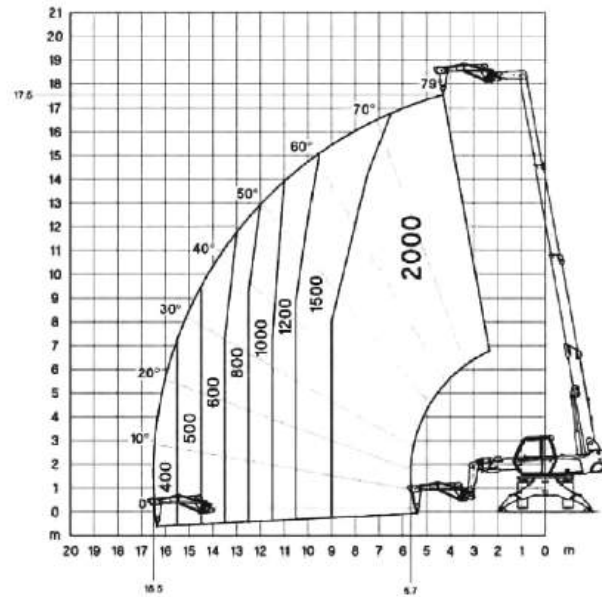


TELEHANDLER ROTATING TYPE

**Rotation on stabilizers with
PSE 4400 / 365 platform**



**Rotation on stabilizers with
extension jib with winch PT2000**



**Rotation on stabilizers
with 2-hook jib P6000**

