

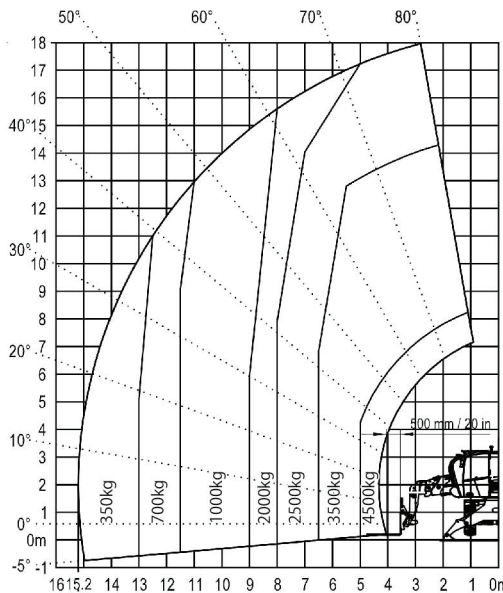
TELEHANDLER ROTATING TYPE



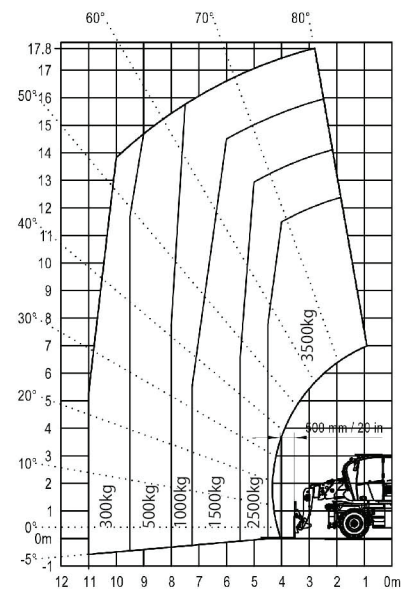
MRT1845 Vision



Rotation on stabilizers with forks



Frontal position on tires with forks

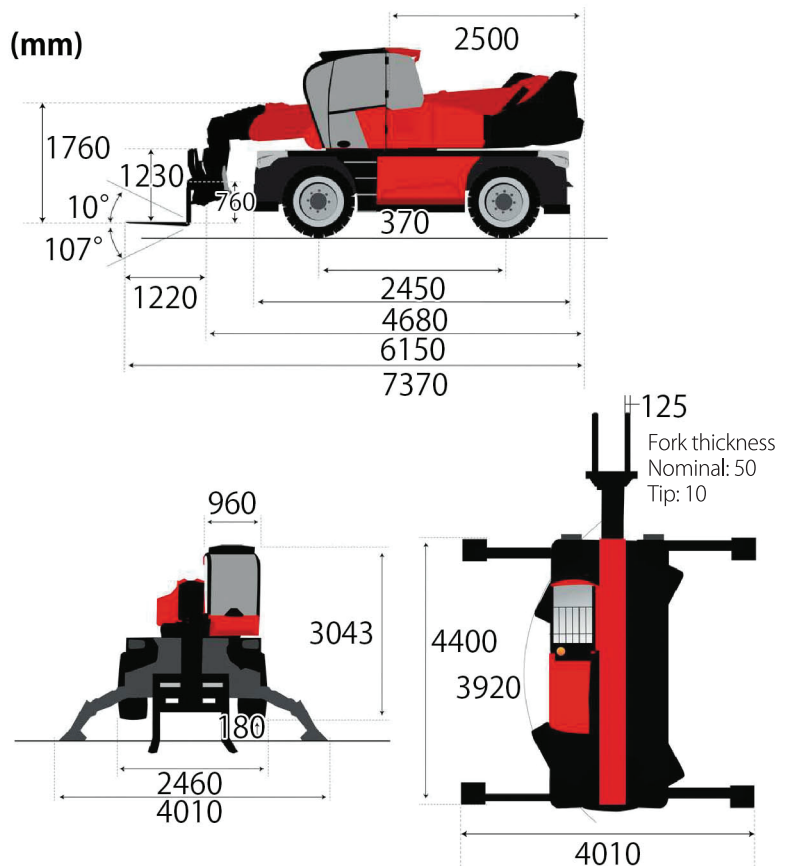


Dimensions

MAKER	MANITOU
Model	MRT1845 Vision
Max. Lifting Height (m)	18.00
Max. Outreach (with Forks) (m)	15.20
Lifting Capacity (on Stabilizers) (kg)	4500
Turret Rotation (°)	360
Drawbar Pull (daN)	9700
Gradeability (°)	26.9
Min. Frame Outer Turning Radius (m)	3.92
GVW (kg)	14100
Max. Travel Speed (km/h)	34.00
Qualifications	
■ When working	Depends on the attachment
■ When driving on public roads	Large special license required

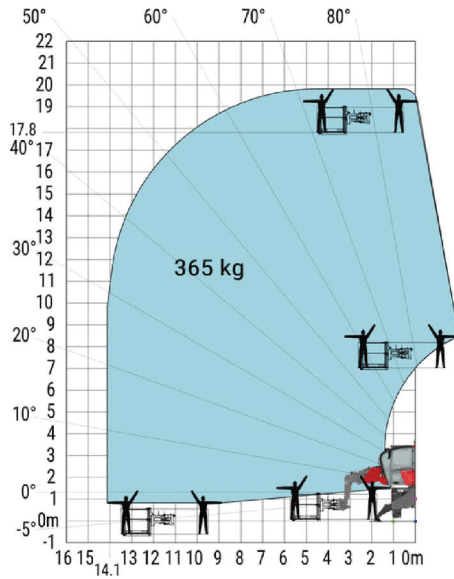
※ Engine complies with European Stage 5 emission standards.

※ The attachments are interchangeable, refer to page 61 for details.

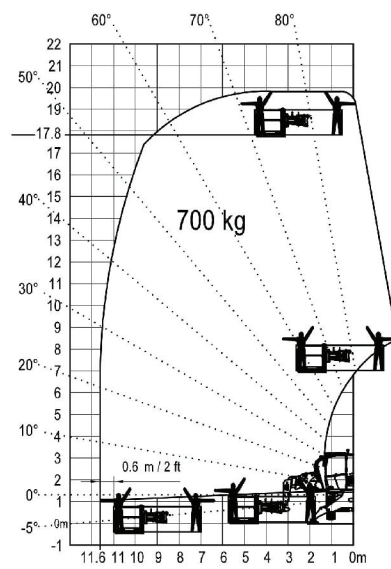


TELEHANDLER ROTATING TYPE

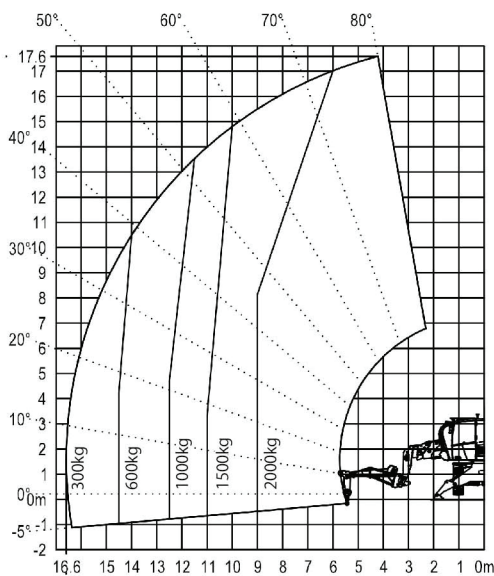
Rotation on stabilizers with PSE 4400 / 365 D platform



Rotation on stabilizers with PSE 4400 / 700 D platform



Rotation on stabilizers with extension jib with winch PT2000



Rotation on stabilizers with 2-hook jib P6000

