

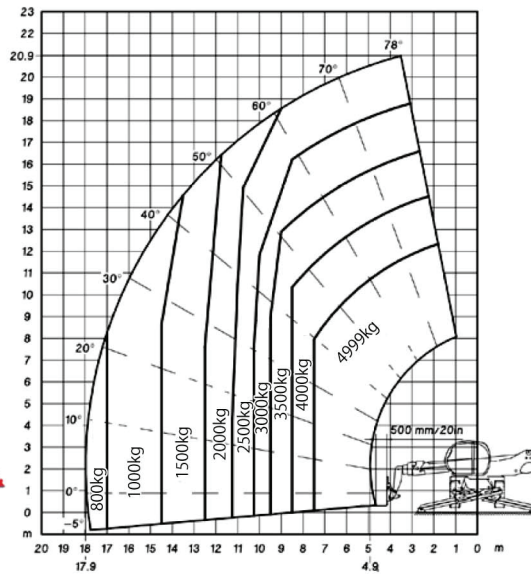
TELEHANDLER ROTATING TYPE



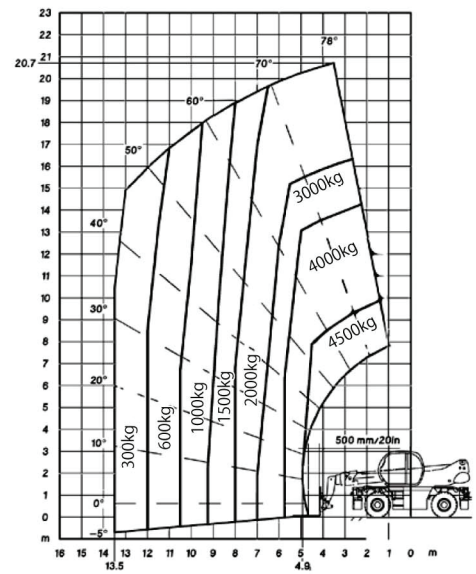
MRT2150P



Rotation on stabilizers with forks



Frontal position on tires with forks



Dimensions

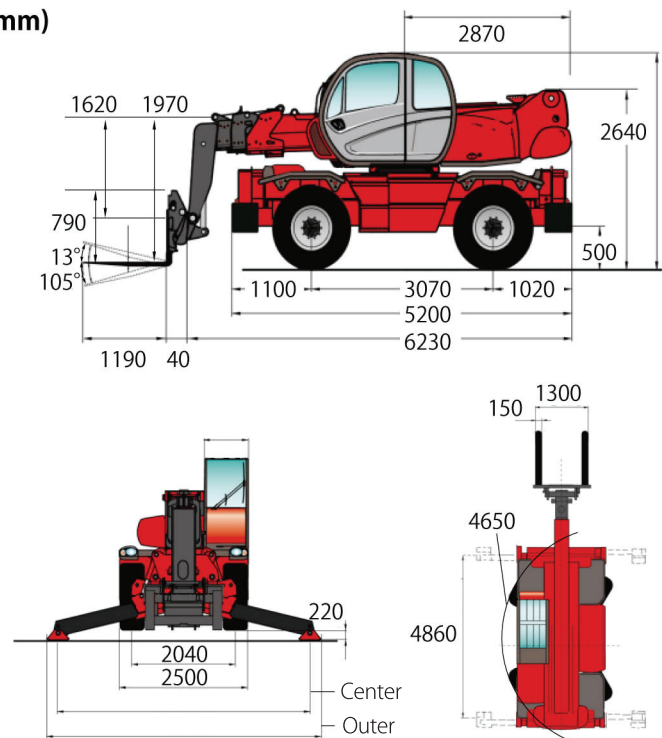
3340 incl. beacon light

MAKER	MANITOU
Model	MRT2150P
Max. Lifting Height (m)	20.90
Max. Outreach (with Forks) (m)	17.90
Lifting Capacity (on Stabilizers) (kg)	4999
Turret Rotation (°)	360
Drawbar Pull (daN)	8700
Gradeability (°)	23.0
Min. Frame Outer Turning Radius (m)	5.23
GVW (kg)	17930
Max. Travel Speed (km/h)	34.00
Qualifications	
■ When working	Depends on the attachment
■ When driving on public roads	Large special license required

※ Engine complies with European Stage 4 emission standards.

※ The attachments are interchangeable, refer to page 61 for details.

(mm)

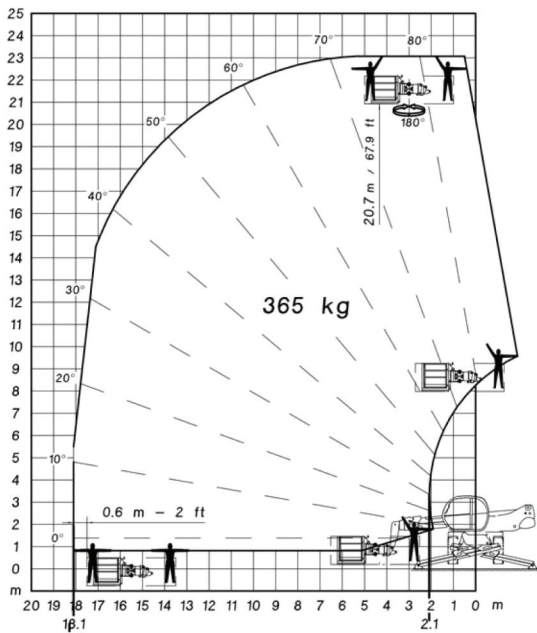


Partially extended stabilizer
Outer: 2970
Center: 2560

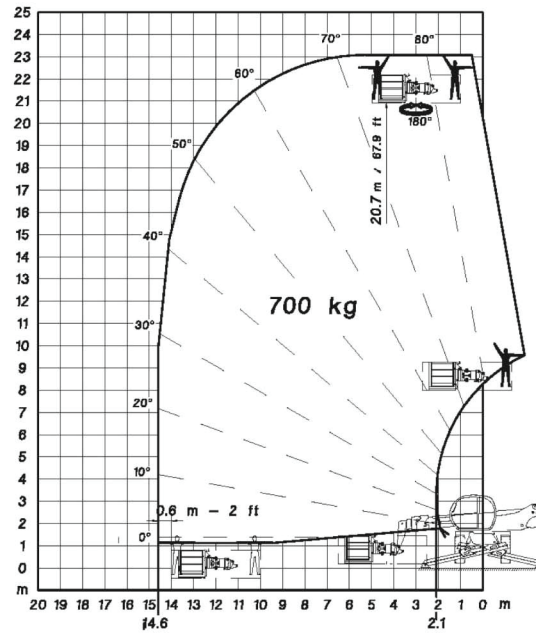
Fully extended stabilizer
Outer: 5830
Center: 5440

TELEHANDLER ROTATING TYPE

**Rotation on stabilizers with
PSE 4400 / 365 platform**



**Rotation on stabilizers with
PSE 4400 / 700 D platform**



**Rotation on stabilizers
with 2-hook jib P6000**

