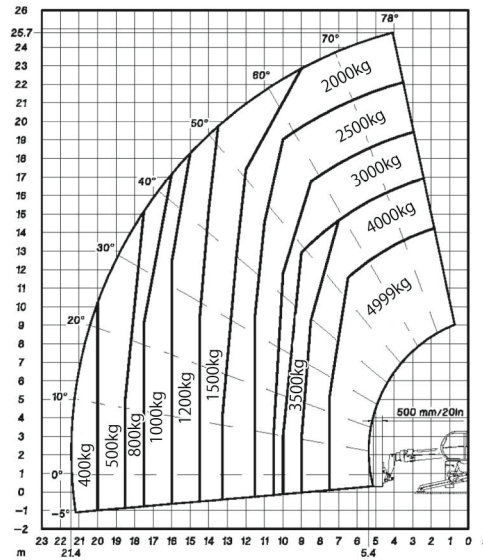


# TELEHANDLER ROTATING TYPE

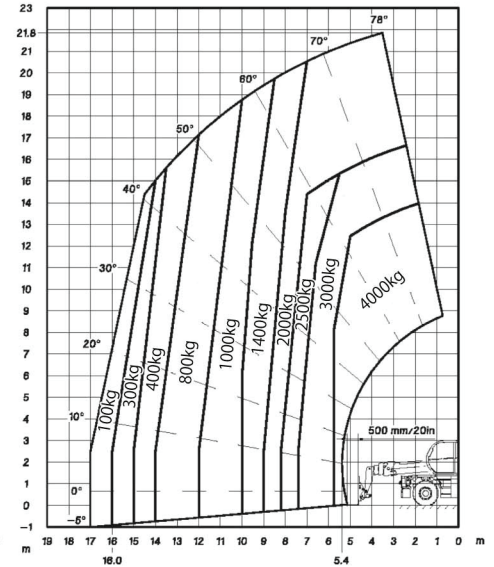


## MRT2550P

Rotation on stabilizers with forks



Frontal position on tires with forks



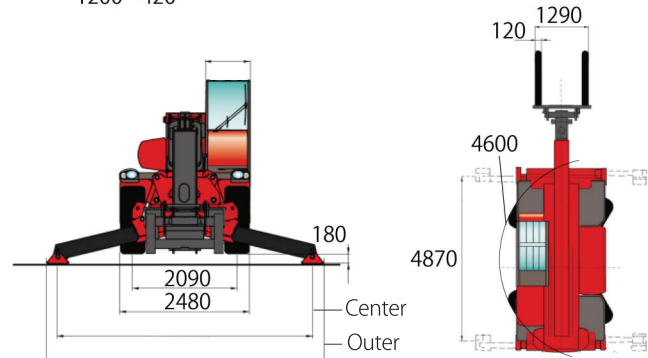
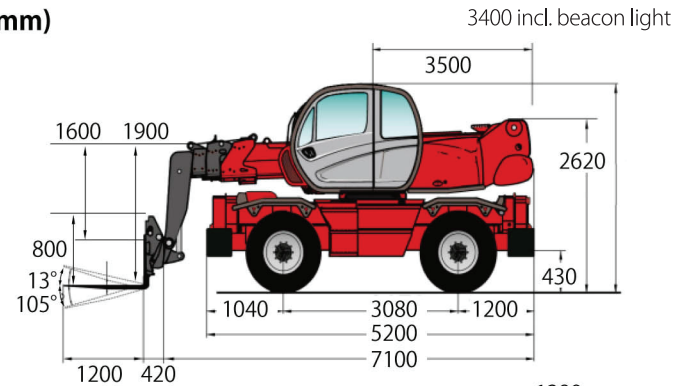
## Dimensions

MAKER	MANITOU
Model	MRT2550P
Max. Lifting Height (m)	24.70
Max. Outreach (with Forks) (m)	21.40
Lifting Capacity (on Stabilizers) (kg)	4999
Turret Rotation (°)	360
Drawbar Pull (daN)	8800
Gradeability (°)	23.0
Min. Frame Outer Turning Radius (m)	5.23
GVW (kg)	18900
Max. Travel Speed (km/h)	34.00
<b>Qualifications</b>	
■ When working	Depends on the attachment
■ When driving on public roads	Large special license required

※ Engine complies with European Stage 4 emission standards.

※ The attachments are interchangeable, refer to page 61 for details.

(mm)



Partially extended stabilizer

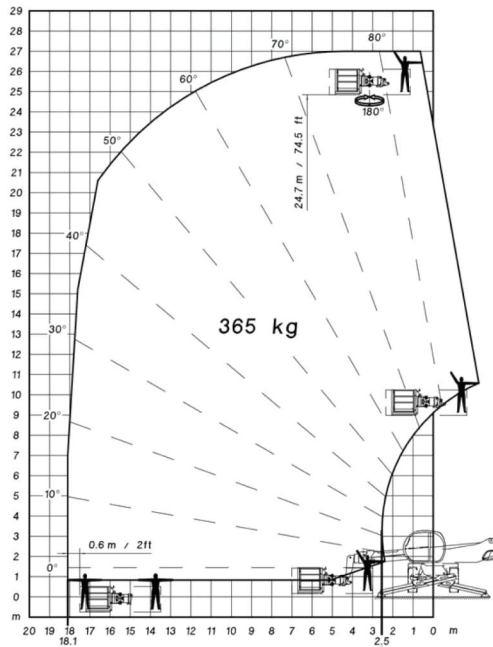
Outer 3410  
Center 2990

Fully extended stabilizer

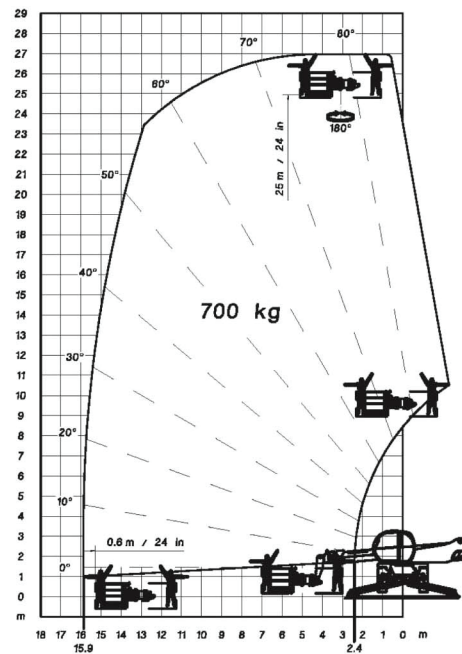
Outer 5860  
Center 5430

# TELEHANDLER ROTATING TYPE

**Rotation on stabilizers with  
PSE 4400 / 365 platform**



**Rotation on stabilizers with  
PSE 4400 / 700 D platform**



**Rotation on stabilizers  
with 2-hook jib P6000**

